

Latvijas Piens (dairy)

Investment in project BEST



Event / Date

Organisation
Contact



EUROPEAN
REGIONAL
DEVELOPMENT
FUND

EUROPEAN UNION



WITH FINANCIAL
SUPPORT OF THE
RUSSIAN
FEDERATION



Latvijas Piens (dairy) and the investment in Project BEST



<https://www.youtube.com/watch?v=jRgHThElBxY&feature=youtu.be>

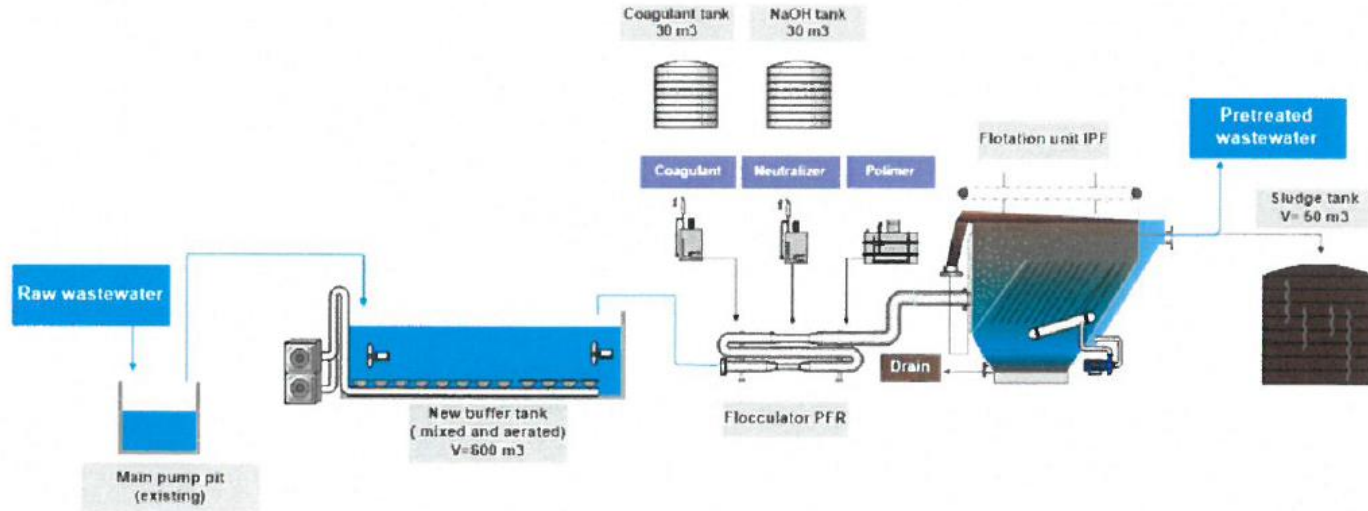
Latvijas Piens (dairy) and the investment in Project BEST



Effluent parameters

	Effluent	Allowable rate
PH	5,5-10,0	6,5-9,0
COD	2500-3500	625 (MAX 935)
BOD	1200-2200	250
TSS	300-600	410

WWTP Technology



Planned performance of WWTP

	Influent	Effluent	Allowable rate
PH	5,5-10,0	6,5-8,5	6,5-9,0
COD	2500-3500	≤625	625 (MAX 935)
BOD	1200-2200	≤250	250
TSS	300-600	≤410	410

Activities related to WWTP building during spring 2019

- **April:**
 - Chooosed supplier for technology;
 - Work on contract between Nijhuis & Latvijas Piens
- **May:**
 - Signed contract with technology supplier;
 - Started projecting of WWTP by Lakalme SIA;
- **June:**
 - First downpayment to technology supplier;
 - Projecting of WWTP by Lakalme SIA;

Activities related to WWTP building during summer 2019

- **June:**
 - First downpayment to technology supplier;
 - Projecting of WWTP by Lakalme SIA;
- **July:**
 - Ready first package of documents to be presented to construction companies by Lakalme, SIA;
 - Provided internal tender for construction works and choosed construction company;
 - Made time table for construction works and technology supply
- **August:**
 - Finished project and provided technical expertise of it

Activities related to WWTP building during autumn 2019



Construction works (chemical tank installation)



10

Construction works (Buffer tank)



Construction works (Equipment delivery)



Next steps of project implementation

- December
 - Completed construction works;
 - Setting up technological equipment;
- January - February
 - Starting up a sewage pre-treatment plant;
- February - March
 - Commissioning of waste water pre-treatment plant;

Future relationship with Jelgavas Ūdens

- System will generate reports of effluent flows and send them daily to Jelgavas Ūdens;
- Latvijas piens will monitor effluent parameters and send results daily to Jelgavas Ūdens;
- In case of system malfunctions fast information exchange between Jelgavas Ūdens and Latvijas piens will be provided

Thank you for attention

